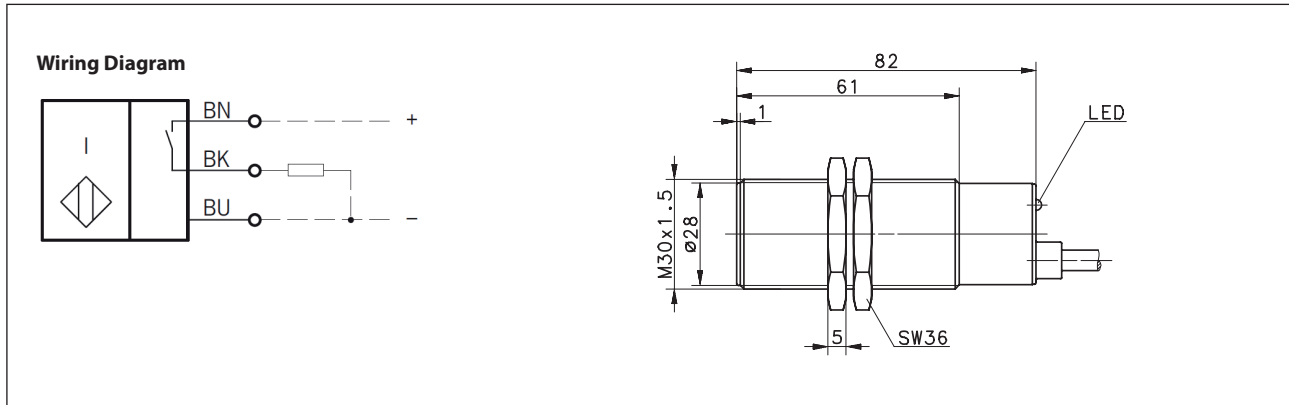


Inductive Proximity Switch Series M30

Description **KIB-M30PS/010-KL2PUT**

Article number **6502907013**



Identifying characteristics in accordance with EN 60947-5-2

Electrical data		
Rated operating distance	S_n	10 mm
Standard target		30 mm x 30 mm, t = 1 mm; material: FE360
Real sensing distance	S_r	9 ... 11 mm
Assured operating distance	S_a	0 ... 8,1 mm
Switching element function		DC, N.O.
Repeat accuracy	R	≤ 5 %
Differential travel (hysteresis)	H	≈ 10 %
Operational voltage range	U_B	10 - 30 V DC
Rated insulation voltage	U_i	75 V DC
Rated impulse withstand voltage	U_{imp}	500 V
Voltage drop	U_d	≤ 2,5 V
Utilization category		DC-13
Rated operational current	I_e	200 mA at 20 °C; 100 mA at 100 °C
Minimum operating current	I_m	1 mA
Off-state current	I_r	< 0,1 mA
No-load supply current	I_o	< 8 mA
Switching element		Permanent overload and s.c.p.
Short-circuit protection		pulsed
Frequency of operating cycles	f	300 Hz
Mounting		flush
False polarity protection		yes
Time delay before availability	t_v	≤ 50 ms

Mechanical Data	
Front cap	PA 6.6, black
Enclosure	Brass, nickel plated
End cap	PA 12, black
Ambient air temperature	-40 °C ... +100 °C
Type of protection	IP67
Pollution degree	3 (Pollution of the active zone can cause impairments of the operating distances.)
Indication	LED yellow
Termination type	Cable 3 x 0,5 mm ² x 2 m ± 5 %; PUR – Outer jacket, black (max. 3000 operating hours at 100 °C)
For attachment	2 x hexagon nut

EU Conformity	
	acc. to directive 2014/30/EU (EMC-Directive)